





Product images are for illustration purposes only. Actual product(s) may vary.

| WHITE FINISH |   |
|--------------|---|
| MODEL No.    |   |
| <b>2311</b>  |  LEFT HAND DRAIN LOCATION  |
| <b>2321</b>  |  RIGHT HAND DRAIN LOCATION |

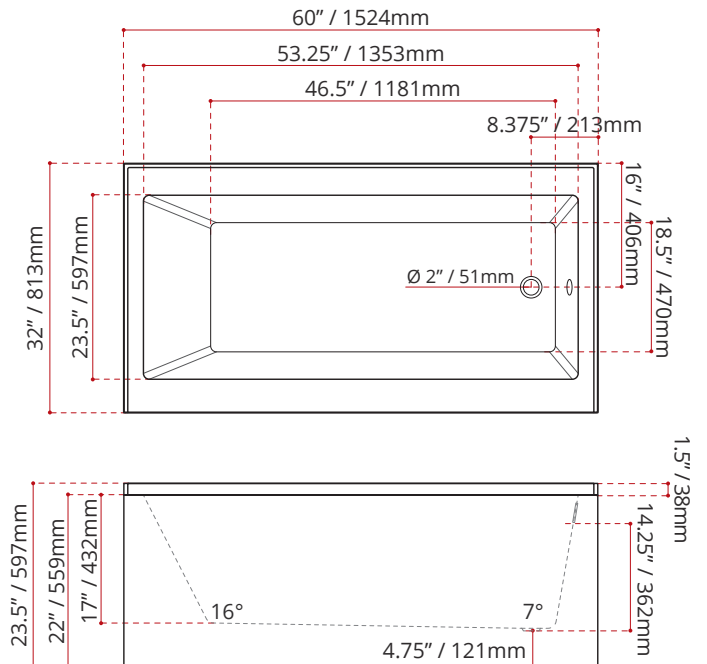
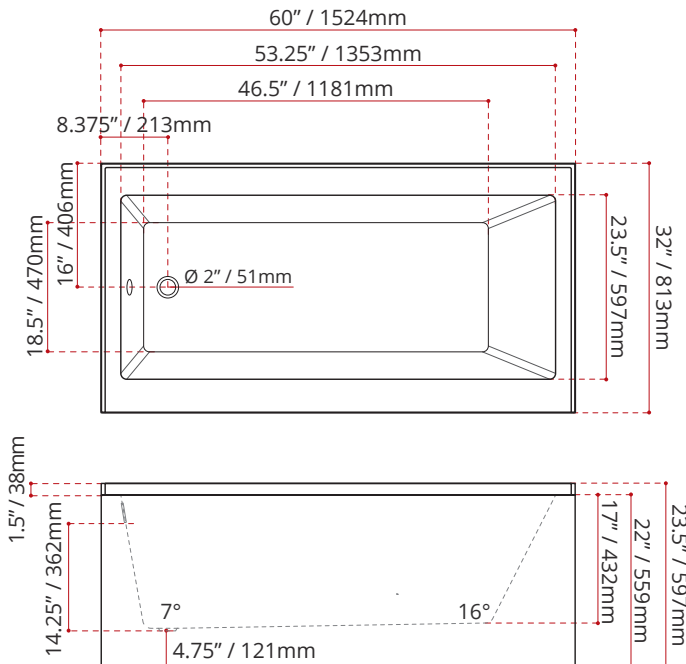
| DIMENSIONS  | WATER DEPTH                         | CAPACITY                       |
|---|-------------------------------------|--------------------------------|
| <ul style="list-style-type: none"> <li>Length: 60" / 1524mm</li> <li>Width: 32" / 813mm</li> <li>Skirt Height: 22" / 559mm</li> </ul> | 14.25" / 362mm<br>Drain to overflow | 53 gal.<br>200 litres of water |

| PRODUCT INFORMATION:   |   |
|--|---|
| <ul style="list-style-type: none"> <li>Modern style</li> <li>Plain skirt</li> <li>End drain</li> </ul> | <ul style="list-style-type: none"> <li>High gloss / Crack-resistant acrylic</li> <li>Made in Canada</li> <li>Complies with CSA &amp; IAPMO standards</li> </ul> |

| SHIPPING INFORMATION:   |  |
|---|--|
| <ul style="list-style-type: none"> <li>Length: 62" / 1575mm</li> <li>Width: 34" / 864mm</li> <li>Height: 26" / 660mm</li> </ul> | <ul style="list-style-type: none"> <li>Net Weight: 35 kg / 77 lbs</li> <li>Gross Weight: 40 kg / 88 lbs</li> </ul> |

MODEL NUMBER : **2311**  
(LEFT HAND DRAIN LOCATION)

MODEL NUMBER : **2321**  
(RIGHT HAND DRAIN LOCATION)



DISCLAIMER: Measurements may vary ± 1/4" (Diagram Not to scale)

**CUSTOMIZE YOUR TUB**

*ALL UPCHARGE OPTIONS ARE MADE TO ORDER - NO REFUND - NO RETURN -*

| AVAILABLE CUSTOMIZATION OPTIONS                        | MODEL No.   |
|--|-------------|
| 3/4" SET BACK WOOD APRON                               | <b>C1</b>   |
| WOOD APRON REMOVABLE ACCESS PANEL                      | <b>C2</b>   |
| SKIRT CUT-OFF  | <b>C3</b>   |
| TEXTURED BOTTOM  | <b>C4</b>   |
| DOUBLE TILING FLANGE                                   | <b>C5</b>   |
| ¾" SET BACK WOOD APRON + TEXTURED BOTTOM               | <b>C14</b>  |
| ¾" SET BACK WOOD APRON + DOUBLE TILING FLANGE          | <b>C15</b>  |
| REMOVABLE ACCESS PANEL + TEXTURED BOTTOM               | <b>C24</b>  |
| REMOVABLE ACCESS PANEL + DOUBLE TILING FLANGE          | <b>C25</b>  |
| SKIRT CUT-OFF + TEXTURED BOTTOM                        | <b>C34</b>  |
| SKIRT CUT-OFF + DOUBLE TILING FLANGE                   | <b>C35</b>  |
| TEXTURED BOTTOM + DOUBLE TILING FLANGE                 | <b>C45</b>  |
| ¾" SET BACK WOOD APRON + TXRED BTM + DBL TILING FLANGE | <b>C145</b> |
| REMOVABLE ACCESS PANEL + TXRED BTM + DBL TILING FLANGE | <b>C245</b> |
| SKIRT CUT-OFF + TEXTURED BOTTOM + DBL TILING FLANGE    | <b>C345</b> |

**JETTING OPTIONS**

*ALL EXPERIENCES ARE MADE TO ORDER - NO REFUND - NO RETURN -*

| MODEL No.  | DESCRIPTION  |
|------------|--|
| <b>E15</b> | 16 LATERAL AIR JETS (CHROME) +<br>1 ROUND LIGHT (WHITE) +<br>6 THIN LINE TURBO JETS (CHROME) |
| <b>E33</b> | 16 AIR ILLUSION JETS +<br>2 ROUND LIGHTS (WHITE) +<br>6 STANDARD THIN LINE JETS (WHITE)      |
| <b>E56</b> | 16 SANTE AIR JETS (WHITE) +<br>1 ROUND LIGHT (WHITE) +<br>6 STANDARD THIN LINE JETS (WHITE)  |
| <b>E75</b> | 16 ZEN AIR JETS (CHROME) +<br>2 ROUND LIGHTS (WHITE) +<br>6 SQUARE STANDARD JETS (CHROME)    |
| <b>M16</b> | 4 V-MASSEUSE +<br>16 AIR ILLUSION JETS +<br>2 ROUND LIGHTS (WHITE)                           |
| <b>M33</b> | 4 WHIRLPOOL V-MASSEUSE +<br>16 LATERAL AIR JETS (CHROME) +<br>1 ROUND LIGHT (WHITE)          |
| <b>062</b> | 6 REGULAR WHIRLPOOL WATER JETS<br>- BRUSHED NICKEL   |
| <b>032</b> | 16 SANTE AIR JETS (WHITE FINISH) +<br>1 ROUND LIGHT (WHITE FINISH)                           |

*FOR MORE EXPERIENCES, JETTING OPTIONS & ACCESSORIES  
PLEASE REFER TO THE JETTING GUIDE*

**HOW TO CREATE THE MODEL NUMBER**

When configuring a bathtub please follow the correct order of the configuration options.

**COLOUR OPTION + CUSTOMIZATIONS + JETTING OPTIONS**

Let's break down an example — Here is Model No.

**2311C45E56**

**2311**C45E56 (PSPACE6032 LEFT HAND DRAIN WHITE FINISH)

2311**C45**E56 (TEXTURED BOTTOM + DOUBLE TILING FLANGE)

2311C45**E56** (JETTING OPTION)

PSPACE6032SK LEFT HAND DRAIN WHITE FINISH + TEXTURED BOTTOM + DOUBLE TILING FLANGE + 16 SANTE AIR JETS (WHITE) + 1 ROUND LIGHT (WHITE) + 6 STANDARD THIN LINE JETS (WHITE)